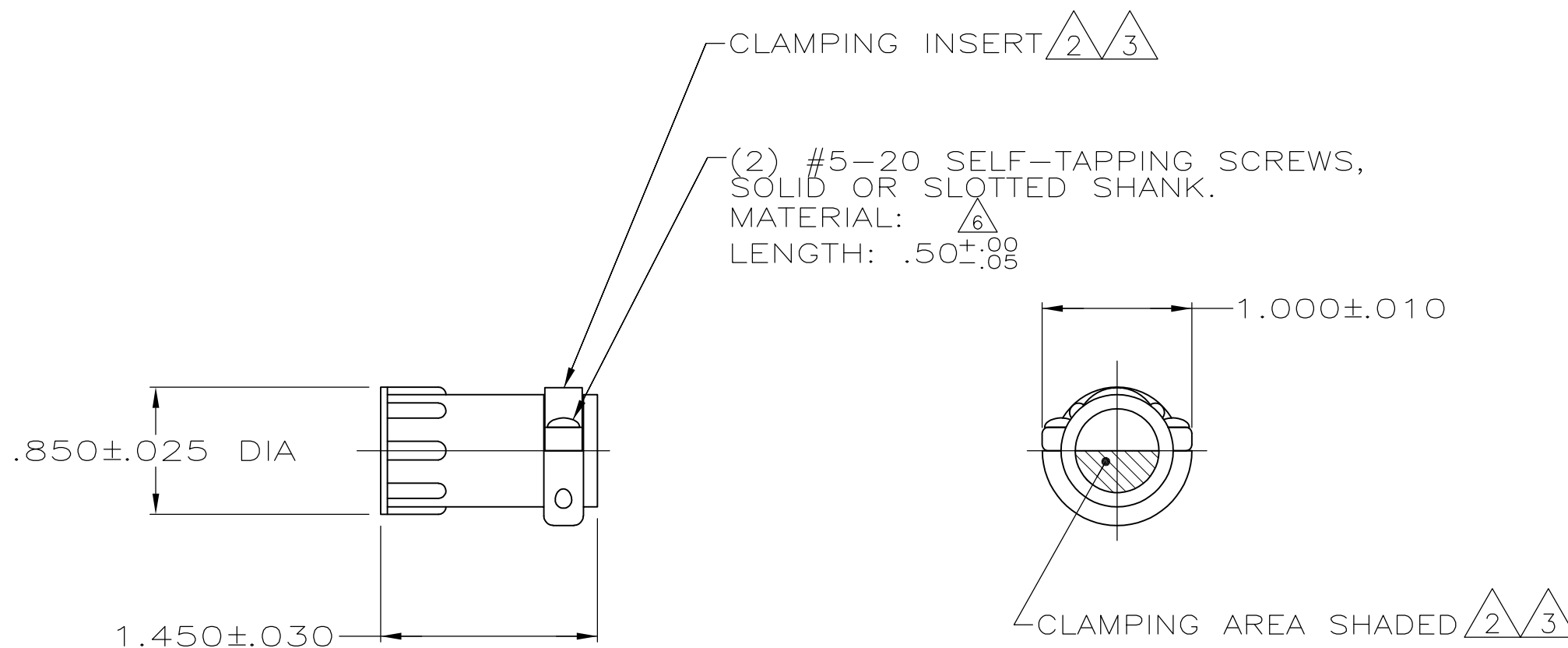


THIS DRAWING IS UNPUBLISHED. RELEASED FOR PUBLICATION
 © COPYRIGHT BY TYCO ELECTRONICS CORPORATION. ALL INTERNATIONAL RIGHTS RESERVED.

LOC	DIST	REVISIONS					
BD	0	P	LTR	DESCRIPTION	DATE	DWN	APVD
		L		REVISED PER ECO-08-029128	22NOV08	HMR	MS



1 PARTS PACKAGED UNASSEMBLED.

$\triangle 2$ CABLE CLAMPING AREA ADJUSTABLE FROM .010 TO .161 SQ IN
BY REVERSING CLAMPING INSERTS.
(2 INSERTS SUPPLIED, -1 AND -2 ONLY)

$\triangle 3$ CABLE CLAMPING AREA ADJUSTABLE FROM .010 TO .161 SQ IN
BY CHANGING CLAMPING INSERTS. (4 INSERTS SUPPLIED, -3 ONLY)

4 .453 MAXIMUM CABLE OUTSIDE DIAMETER.

$\triangle 5$ BULK PACKAGED KITS TO BE ORDERED IN MULTIPLES OF
200 ONLY.

$\triangle 6$ STEEL, ZINC PLATE WITH NON-HEXAVALENT CHROMATE.

$\triangle 6$	$\triangle 5$	BULK	206358-5
$\triangle 6$		INDIVIDUAL	206358-4
OBSOLETE	$\triangle 5$	BULK	206358-3
$\triangle 6$	$\triangle 5$	BULK	206358-2
$\triangle 6$		INDIVIDUAL	206358-1
		PACKAGING	PART NUMBER

THIS DRAWING IS A CONTROLLED DOCUMENT.		DWN	4/23/91		Tyco Electronics Corporation	
		CHK	7-23-92		Harrisburg, PA 17105-3608	
		W.G.LENKER		NAME		
		-		CABLE CLAMP KIT, LARGE, SHELL SIZE 11, CPC		
DIMENSIONS: INCHES		TOLERANCES UNLESS OTHERWISE SPECIFIED:		PRODUCT SPEC		
		0 PLC $\pm -$		108-10024		
		1 PLC $\pm -$		APPLICATION SPEC		
		2 PLC $\pm -$		-		
		3 PLC $\pm -$		SIZE		
		4 PLC $\pm -$		CAGE CODE		
		ANGLES $\pm -$		DRAWING NO		
MATERIAL		FINISH		RESTRICTED TO		
THERMOPLASTIC		-		-		
CUSTOMER DRAWING				WEIGHT	-	
				SCALE	NTS	
				SHEET	1 OF 1	
				REV	L	